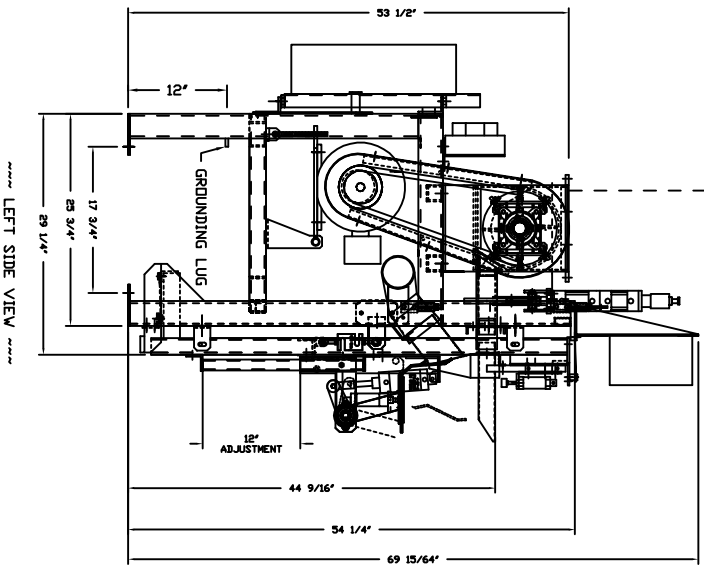
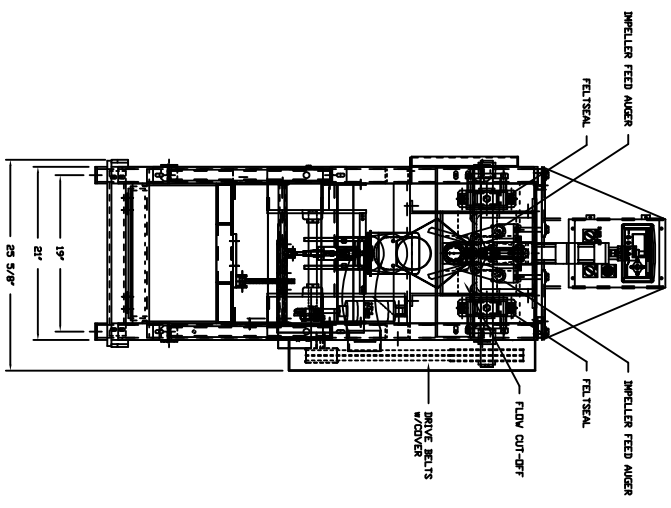


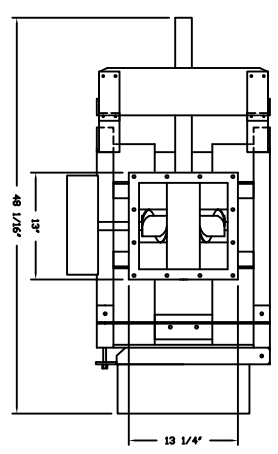
UPPER INLET FLANGE



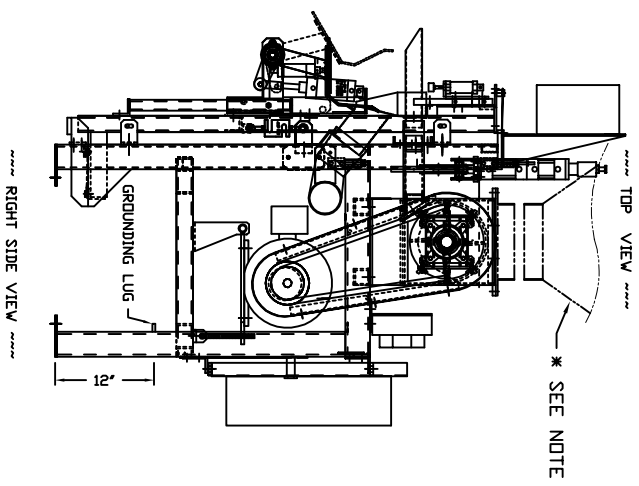
LEFT SIDE VIEW



FRONT VIEW




TOP VIEW



RIGHT SIDE VIEW

\* MUST MAINTAIN A MIN OF 10 CU/FT OF PRODUCT CONSULT FACTORY IF NOT FEASIBLE

TAYLOR IMPELLER PACKER  
ELECTRONIC ( R.H. UNIT )

 <p><b>taylor products</b> Division of Magnium Systems</p>	
MODEL: IPV ELECTRONIC	CUSTOMER NAME: TAYLOR PRODUCTS
VIEW: _____	CUSTOMER TAG #: _____
SCALE: 1"=12"	DRAWING DATE: 05/24/12
DRAWN BY: RS	REVISOR BY: _____
P.O. #: _____	DRAWING NAME: VB-08-IPV STD-08
ORDER #: _____	ECN #: _____
PG: 1 OF 1	LAST 2 DIGITS IN DRAWING NAME INDICATE REVISION NUMBER